


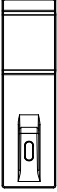
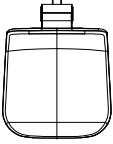
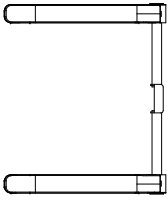
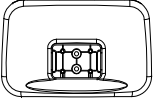

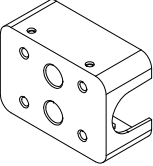





Model No: CL001

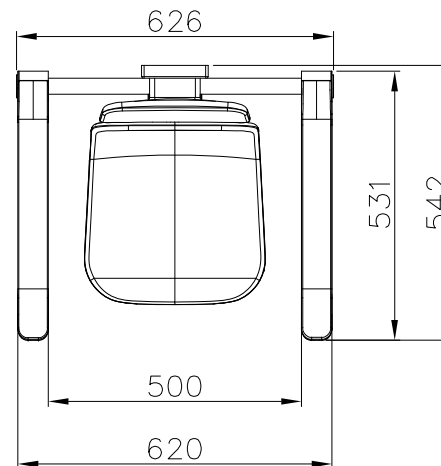
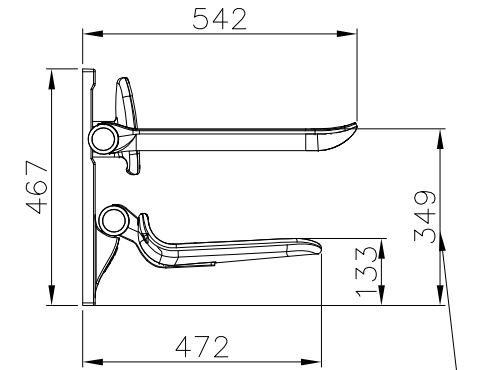
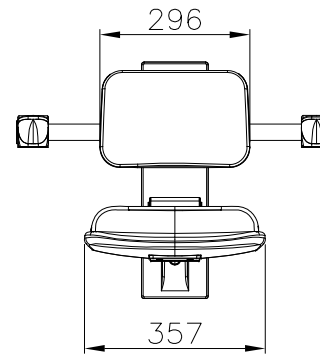
Content

Parts List	2
Technical Drawing	3
Installation	4

Technical Drawing

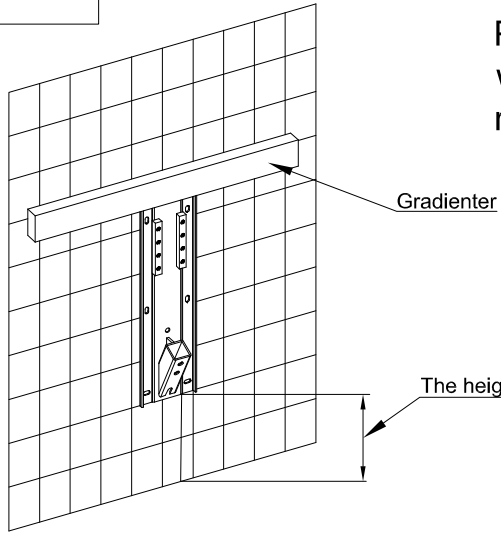
Parts List

			
Fixation frame	Plastic cover	Seat	Armrest
			
Backrest	Cover and sleeve	Backrest decorative cover	Screws and expansion nuts (7pcs)
			
Bolts M6*60(4pcs)	Hex socket screws M8x10(2pcs)	Hex socket screws M8*20(2pcs) Washers Ø22*Ø8.5 (2pcs)	Hex socket screws M8*16(4pcs)

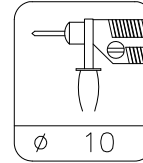


Optional:
349
379
409

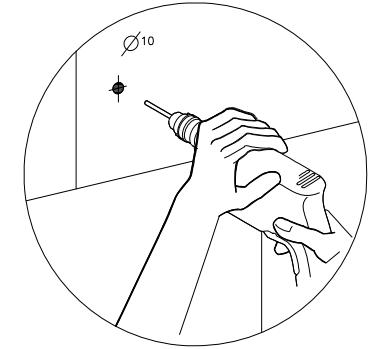
1



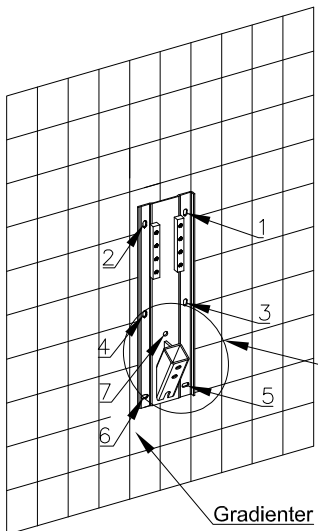
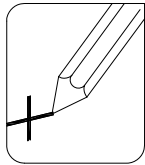
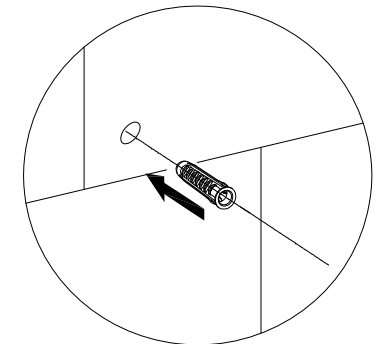
Put fixation frame against the wall and use gradienter to make it straight.



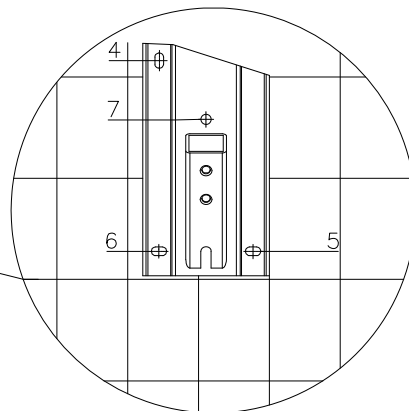
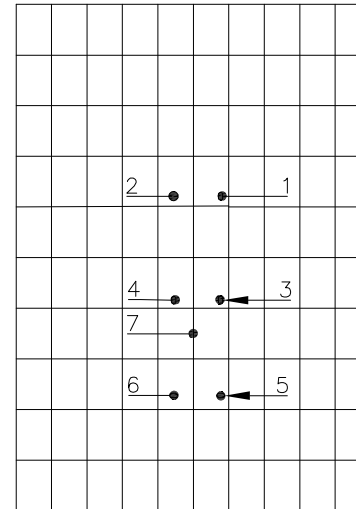
Drill on the marking points.



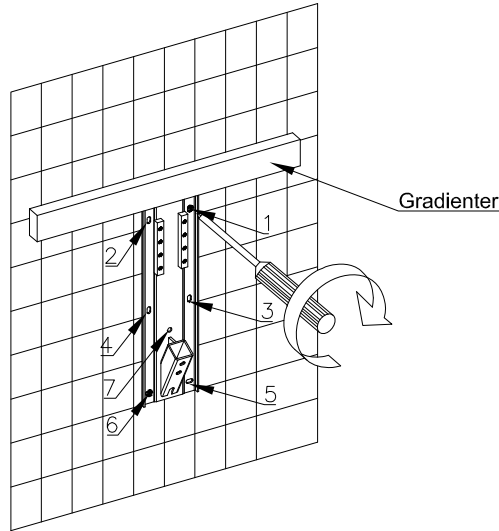
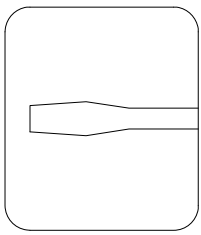
Insert the expansion nuts.



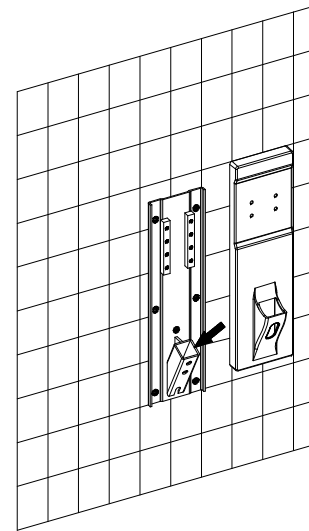
Mark on the 7 installation holes.



1
2:1

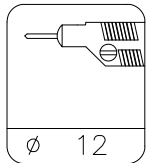


Put the fixation frame against the wall and align the installation holes with the drilled holes. Install the screws at points 1, 6, 7 but not tighten them. Use gradienter to make the frame straight and tighten the screws at points 1, 6, 7, then tighten other screws.



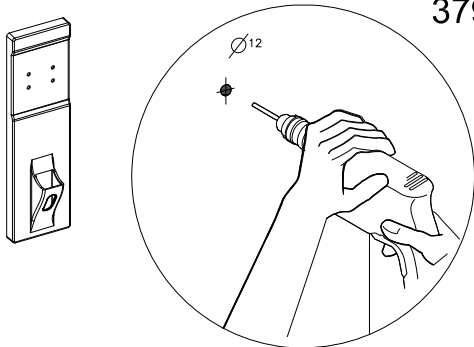
Put the plastic cover on the fixation plate and press until tightly fit. The holes on plastic cover should align with screw holes on fixation plate to make sure the armrests can be installed.

2



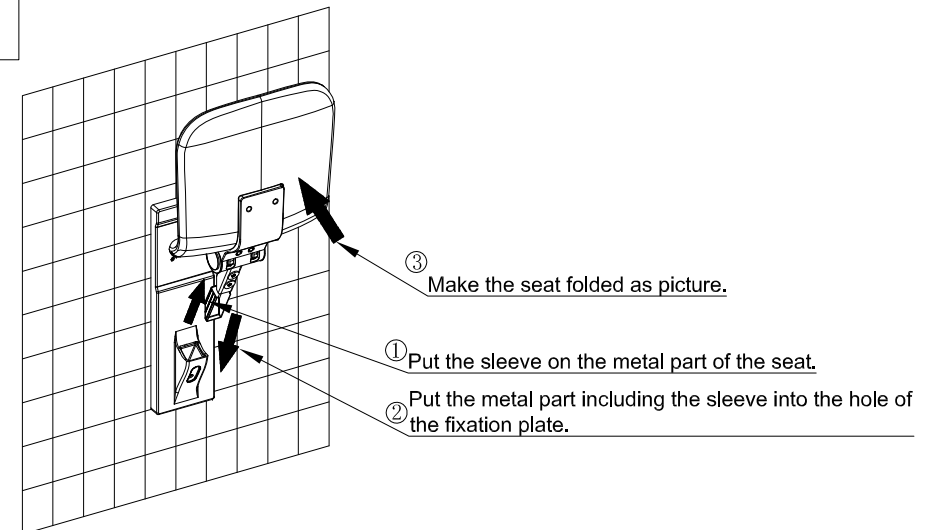
According to the installation height (optional 349mm, 379mm, 409mm as in the technical drawing), drill 4 holes (Ø11) on the plastic cover (there are hole location marks on the cover).

The illustration is for height of 379mm.



3

Install the seat

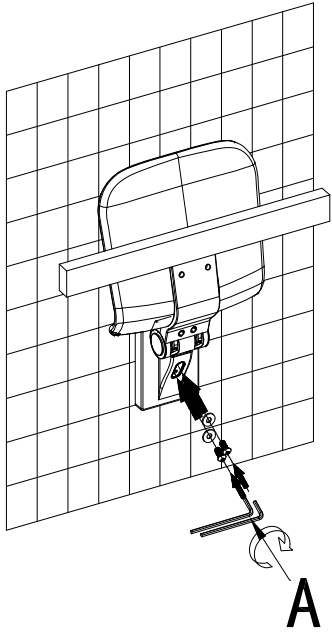


③ Make the seat folded as picture.

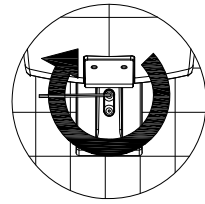
① Put the sleeve on the metal part of the seat.

② Put the metal part including the sleeve into the hole of the fixation plate.

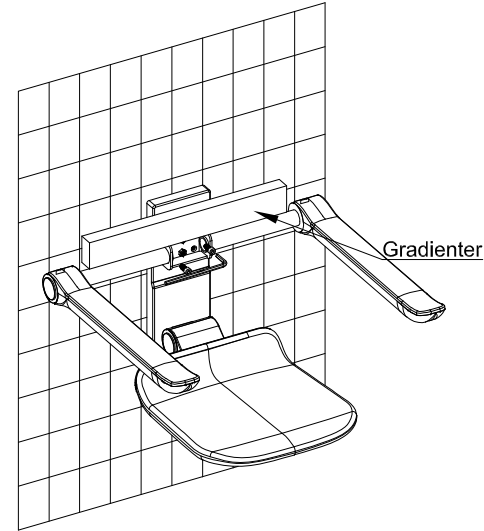
4



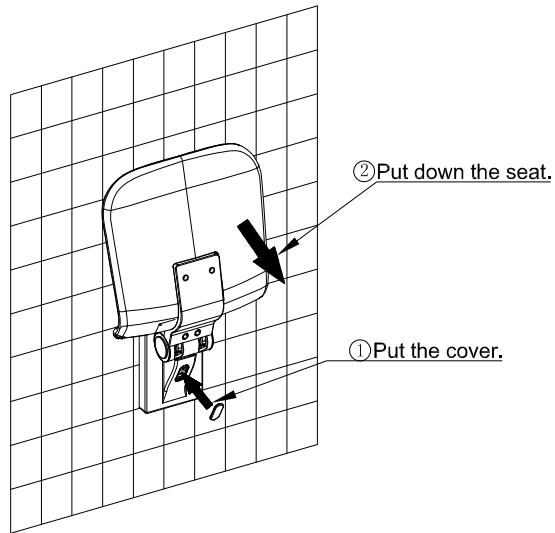
Loosely secure with screws and adjust the seat straight and then tighten the screws.



A

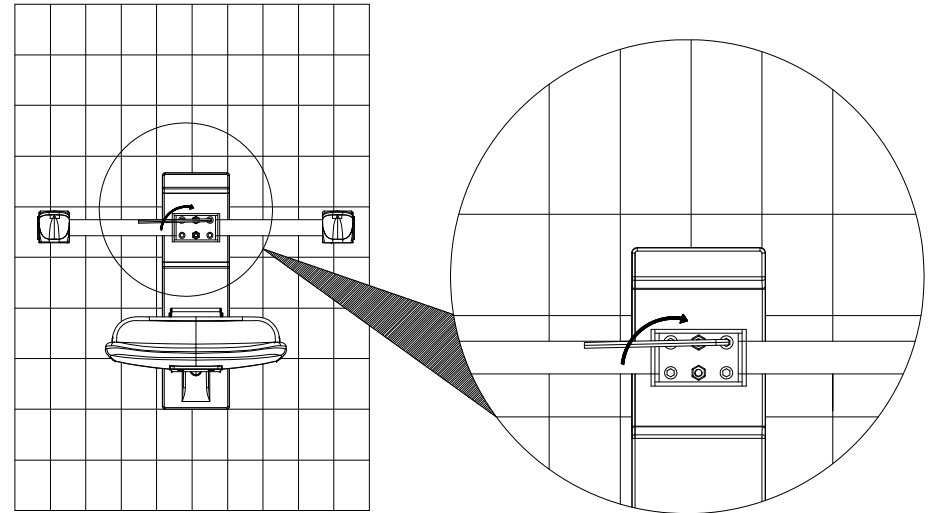


Use hex socket screws M8*16(4pcs) to loosely secure the armrest and adjust the armrest to be straight and then tighten the screws.

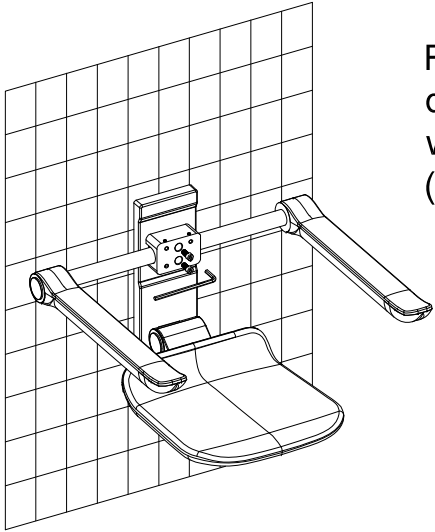


② Put down the seat.

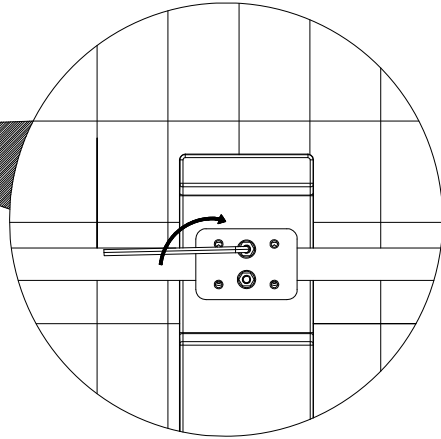
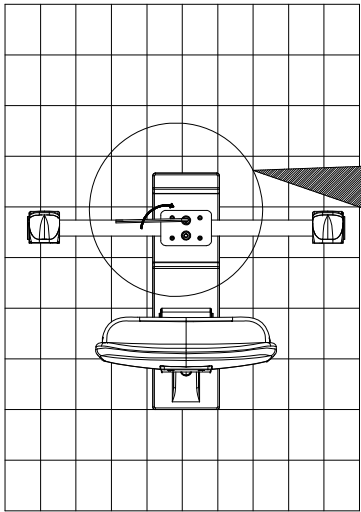
① Put the cover.



5



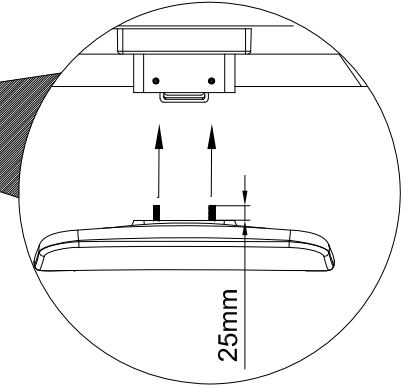
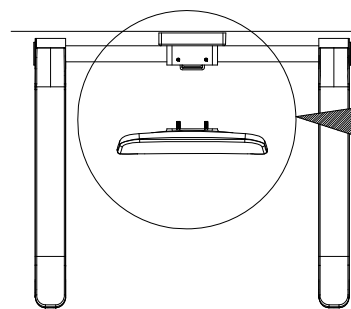
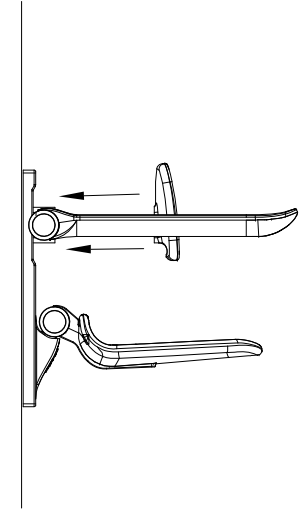
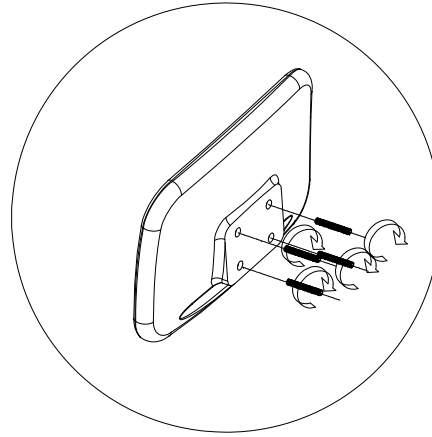
Remove the backrest decorative cover and tighten with hex socket screws M8*10 (2pcs).



2:1

6

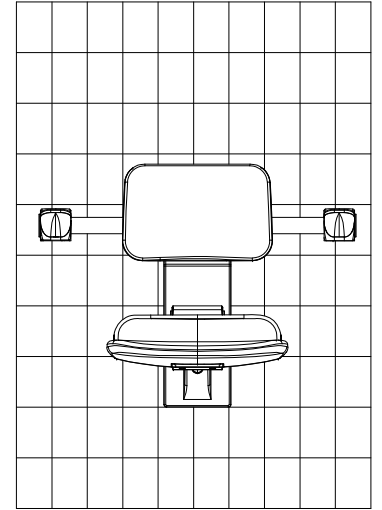
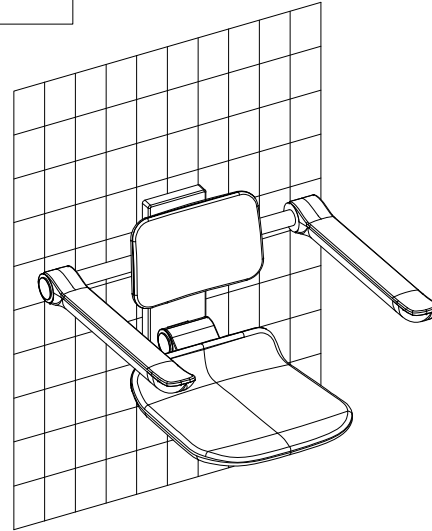
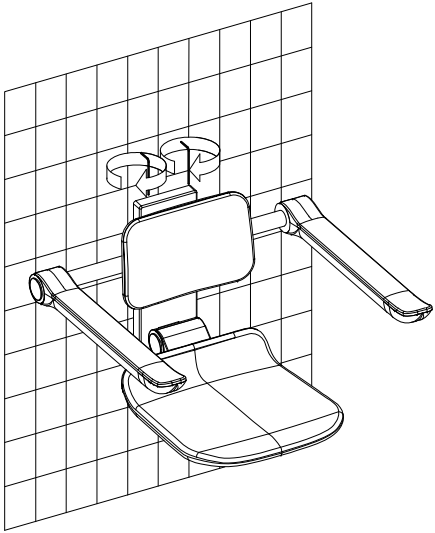
Put the bolts M6*60(4pcs) on the backrest.



2:1

7

Tighten screws.



2:1

